

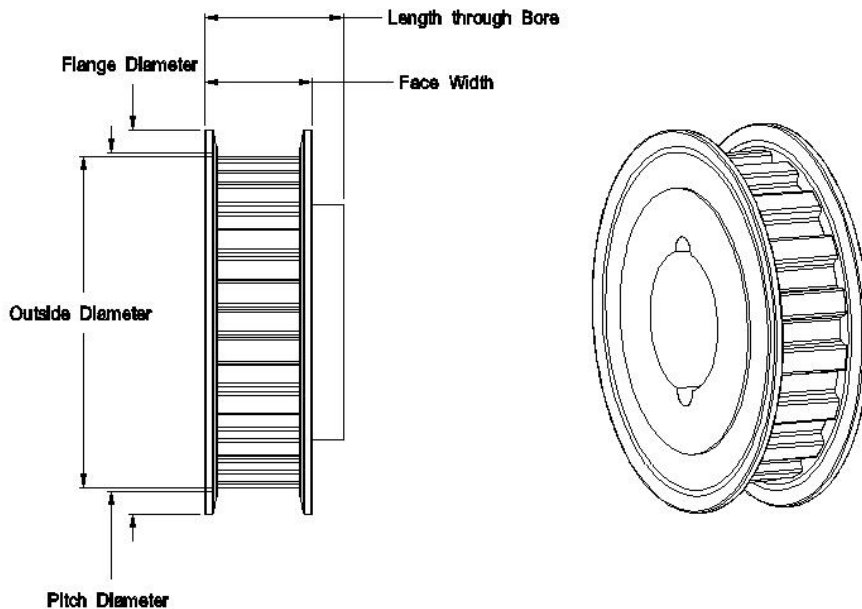


**Custom Machine & Tool Co., Inc.**  
**22 Station Street**  
**E, Weymouth, MA 02189**  
**Email: info@cmtco.com**  
**WWW.CMTCO.COM**  
**Tel: 800-355-5949 Or 781-331-7770**

### 5M HTD ® Synchronous Sprockets Molded Nylon

15mm (.591 in) Wide Belts (5M-15) - .65 Face Width						
Part Number	No. of Grooves	Style	Nominal Dimensions			
			Pitch Diameter	Outside Diameter	Flange O.D.	Length thru Bore
CMT24-5M-15P-1216	24	SF,DF	1.504	1.459	1.61	.81
CMT28-5M-15P-1216	28	SF,DF	1.754	1.709	1.87	.81
CMT30-5M-15P-1216	30	SF,DF	1.880	1.835	2.00	.81
CMT32-5M-15P-1216	32	SF,DF	2.005	1.960	2.12	.81
CMT36-5M-15P-1216	36	SF,DF	2.256	2.211	2.41	.81
CMT38-5M-15P-1216	38	SF,DF	2.381	2.336	2.54	.81
CMT40-5M-15P-1216	40	SF,DF	2.506	2.461	2.71	.81
CMT42-5M-15P-1216	42	SF,DF	2.632	2.587	2.79	.81
CMT44-5M-15P-1216	44	SF,DF	2.757	2.712	2.91	.81
CMT48-5M-15P-1216	48	SF,DF	3.008	2.963	3.13	.81
CMT50-5M-15P-1216	50	SF,DF	3.133	3.088	3.26	.81
CMT56-5M-15P-1216	56	SF,DF	3.509	3.464	3.63	.81
CMT60-5M-15P-1216	60	SF,DF	3.760	3.715	3.89	.81
CMT62-5M-15P-1216	62	SF,DF	3.885	3.840	4.10	.81
CMT64-5M-15P-1216	64	SF	4.010	3.965	4.13	.81
CMT72-5M-15P-1216	72	SF	4.511	4.466	4.67	.81
CMT80-5M-15P-1216	80	SF	5.013	4.968	5.19	.81
CMT90-5M-15P-1216	90	SF	5.639	5.594	5.81	.81

Patent Number 6,568,063 Custom Machine & Tool Co., Inc



#### STYLE CODES:

**SF Flange**  
**DF Flange**

**CMT® is a registered trademark of Custom Machine & Tool Co., Inc.**  
**Copyright © 1998-2004 Custom Machine & Tool Co., Inc. All rights reserved.**  
**HTD ® is a registered trademark of Gates Corporation**